



SSV7HRB

*7" Headrest Widescreen
TFT Video Monitor*

Congratulations on your purchase of a Sound Storm Video Monitor.

It has been designed, engineered and manufactured to bring you the highest level of performance and quality, and will afford you years of viewing pleasure.

Thank you for making Sound Storm your choice in car video entertainment!

USER'S MANUAL

page CONTENTS

- 2** General precautions
- 2** Safety precautions
- 3** Installation precautions
- 3** Operation precautions
- 4** Features
- 4** What is included?
- 5** Monitor controls and features
- 6** Remote control
- 6** Remote control battery replacement
- 7** System wiring
- 8** Monitor installation
- 10** Removing the monitor
- 11** Troubleshooting
- 12** Specifications

General precautions

Please read this manual completely and carefully prior to attempting to install your new Boss mobile video equipment. Installed correctly, your **Sound Storm** equipment will provide you with years of enjoyable and safe usage.

Installation of this equipment in any portion of a vehicle which impairs or distracts the driver is improper and dangerous. **Sound Storm** assumes no liability whatsoever for failure to follow the proper installation of this product.

Please keep this manual in a safe place for future reference.

Safety precautions

- Do not operate this equipment while driving – safe driving should always be your highest priority.
- Do not install this product in a location which allows the monitor screen to be visible to the driver of the vehicle. In some states and countries, the viewing of images on a screen inside a vehicle is illegal, even by people other than the driver. Be sure that the installation and operation of this system is in compliance with local rules and regulations.
- Do not open or attempt to repair this unit yourself. Dangerous high voltages are present which may result in electric shock. Refer any repairs to a qualified service technician.
- Do not attempt to repair a damaged, broken or faulty power cord. Replace it with a new one immediately.

- To avoid risk of electronic shock or damage to the monitor, do not permit any of this equipment to become damp or wet from water or drinks. If this does occur, immediately unplug the power cord and send the monitor to your local dealer or service center as soon as possible.

- if there is smoke or any peculiar odor present during use or if there is damage to any of the component enclosures, immediately unplug the power cord and send the monitor to your local dealer or service center as soon as possible .

SHOCK HAZARD! Do not open the case of this product. There are dangerous voltages present within the unit. There are no user-serviceable parts within the unit.

Features

Your new video monitor features the following:

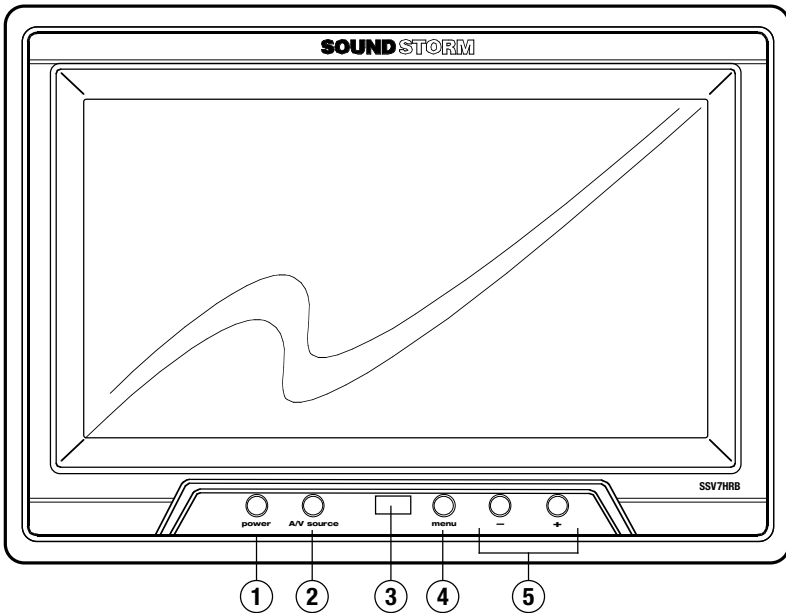
- **TFT Active Matrix LCD display**
- **On-screen menu system**
- **Dual AV inputs**
- **Wireless remote control**

What is included?

When first unpacking your new flip-down monitor, please check first that the package contains all of the items below. If something is missing, contact the store where you purchased the player.

- **LCD monitor**
- **Mounting shroud**
- **Trim bezel**
- **Wireless remote control with batteries**
- **RCA-RCA video cable**
- **Video/power interface cable with inline fuse**
- **Monitor removal key**
- **Mounting screws**

Monitor Controls and Features

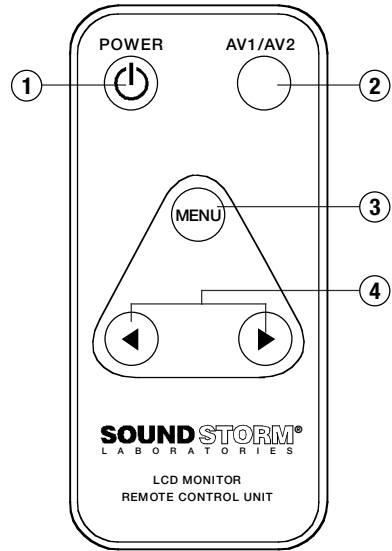


- ① **POWER ON/OFF**
This button turns the monitor system on and off.
- ② **A/V SOURCE SELECTOR**
Use this button to switch between A/V Source 1 and A/V Source 2.
- ③ **REMOTE IR SENSOR**

- ④ **MENU**
This button enables the on-screen display menu system. Once enabled, this button is used as an ENTER button.
- ⑤ **UP/DOWN BUTTONS**
These buttons are used to increase or decrease parameters in the on-screen display menu system.

Remote Control

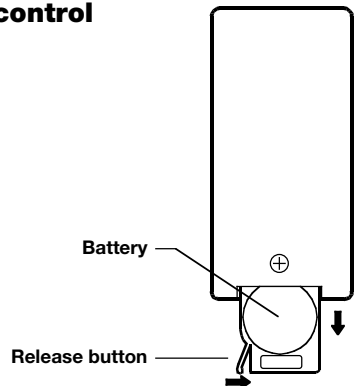
- 1 POWER**
Press to turn unit ON or OFF.
- 2 AV1/AV2 (AV SOURCE SELECT)**
Use this button to switch between A/V Source 1 and A/V Source 2.
- 3 MENU**
This button enables the on-screen display menu system. Once enabled, this button is used as an ENTER button.
- 4 INCREASE/DECREASE BUTTONS**
These buttons are used to increase or decrease parameters in the on-screen display menu system.



Changing the battery in the remote control

The remote battery is held in a small “drawer” on one edge of the remote. To open this drawer, press and hold the small button on the edge of this drawer (as shown below) and slide the drawer out.

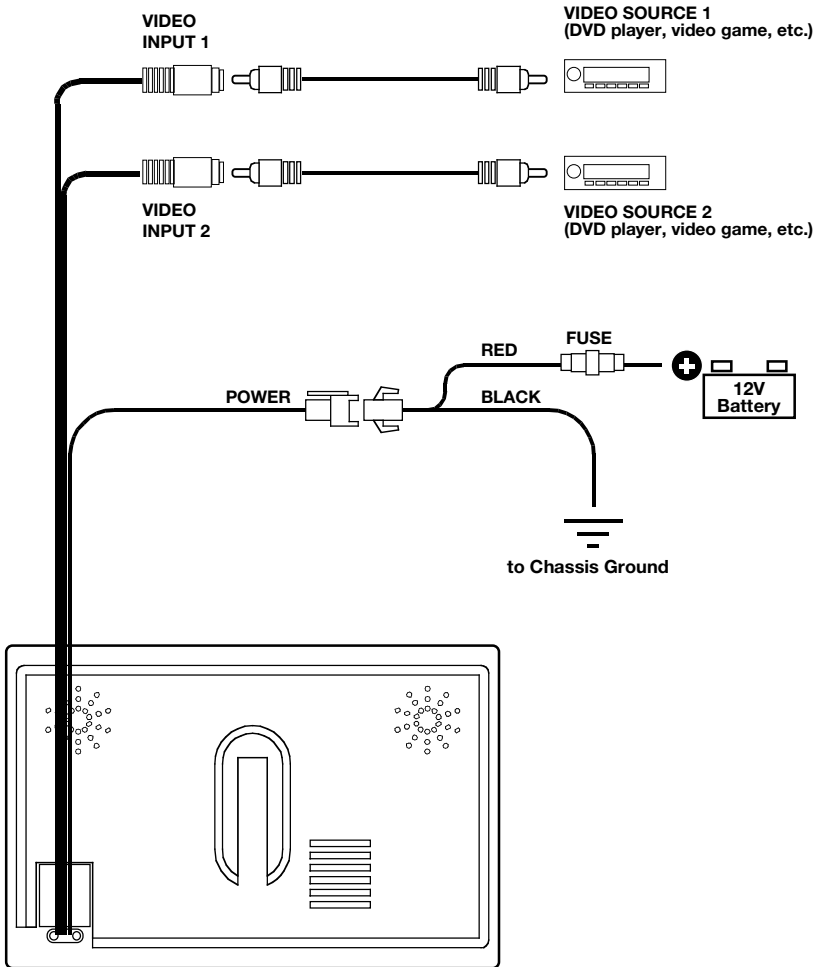
Insert a new battery and push the drawer back fully into the remote.



System wiring

On a towel or soft cloth, gently place the monitor assembly “face down” on a stable worksurface.

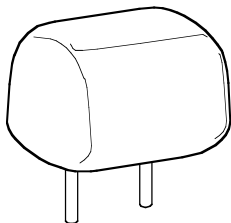
Using the wires provided, complete the audio, video and power connections in your vehicle as shown in the diagram below.



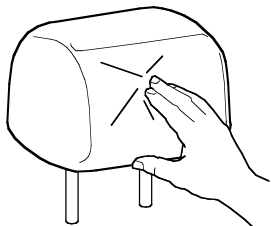
Monitor installation

CAUTION

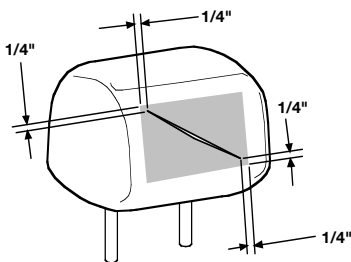
If you have any doubts about this type of installation, please consult your local mobile electronics retailer. Making holes in the upholstery of your vehicle can cause damage which is expensive to repair.



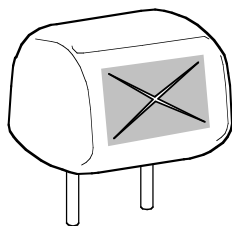
Carefully remove the headrest and set it down in an uncluttered work area. Take the appropriate precautions to ensure it is not damaged during installation.



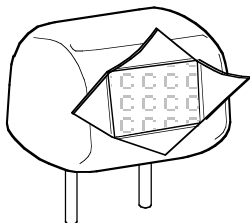
Push on the headrest with your fingers to make sure there are no obstructions inside that would interfere with the installation. After you confirm that there are no internal obstructions, take the paper template provide in place, and mark the area to be cut.



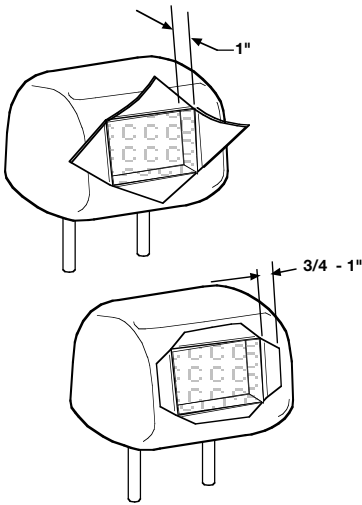
Using a sharp, adjustable-depth blade knife, make a diagonal cut beginning 1/4" INSIDE from one corner, and ending 1/4" INSIDE from the opposite corner.



Repeat, cutting diagonally between the two other corners.

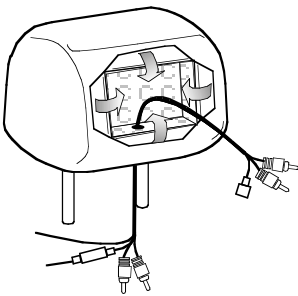


Carefully peel back the upholstery material.



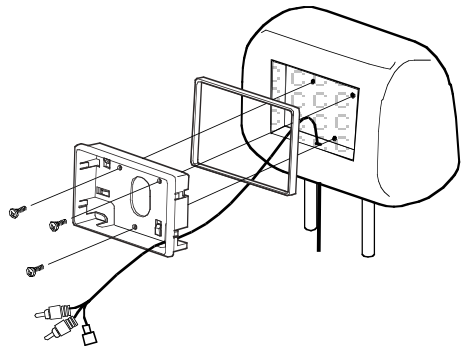
Set the adjustable blade to 1" depth, and cut around the edges of the hole, staying 1/4" inside the edge. Pull up one corner of the foam rectangle, and use the blade to cut underneath – remove a small section at a time, using the "pull up and cut" method for uniform depth. If necessary, use a Dremel tool or other appropriate tool to remove any other obstructions present.

Using a sharp scissors, cut the points off the flaps of upholstery material to about 3/4" - 1" wide.



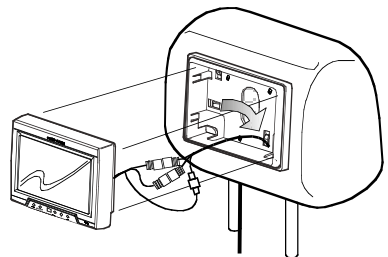
Route the cable through the opening just cut, and out the bottom of the headrest. If possible, conceal the cable using a gear shift covering or similar. Then fold the four flaps into the cavity in the headrest.

Slide the trim frame onto the monitor shroud and slide the assembly into the cavity in the headrest. As you do this, feed the cable through the headrest as shown in the diagram. Secure the shroud with the three screws as shown.



NOTE: Headrests vary in their construction. Most headrests have a plastic plate inside into which you can directly attach the mounting screws. However, in some cases this plate is absent or is too deeply located for attachment. In this case, you may wish to cut a plate of wood of appropriate thickness and hot-glue it into place to use as a mounting plate.

Connect the RCA cables and the power cable, and slide the monitor into the shroud until you feel a click. As you do so, push the cables into the headrest shroud so they travel into the area behind the shroud and out below the headrest.

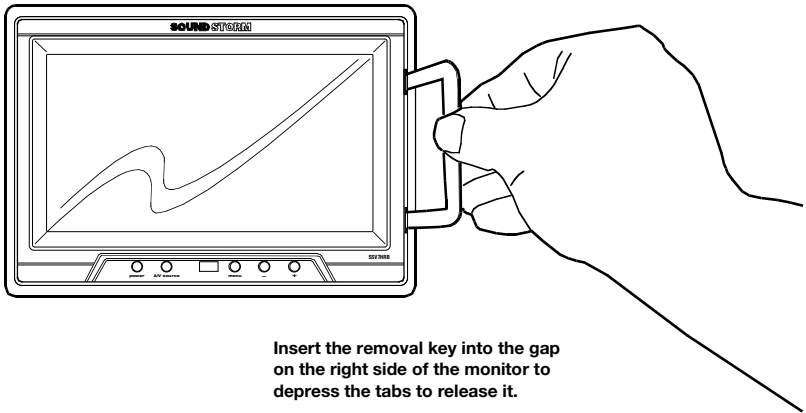


Removing the monitor

Should you need to remove the monitor from the shroud, insert the removal key as shown in the diagram below.

Insert the two prongs of the key into the gap between the monitor and the shroud (as shown in the diagram) to depress the two snap catches on the side of the monitor which secure it. Then use the key to gently lift the right side of the monitor out of the shroud and remove it.

Be sure to push the monitor all the way back in until you feel a click when you are reassembling the monitor system.



Insert the removal key into the gap on the right side of the monitor to depress the tabs to release it.

Troubleshooting

If you experience operation or performance problems with this product, compare your installation with the electrical wiring diagram on the previous page. If problems persist, read the following troubleshooting tips which may help eliminate the problems.

SYMPTOM	CAUSE	REMEDY
<p>No picture or sound.</p>	<p>Power cord is not properly connected.</p> <p>A/V input cables not properly connected.</p> <p>A/V input source is not operating properly.</p>	<p><i>Check that power connections are properly made and all fuses are in functioning condition.</i></p> <p><i>Check all cables.</i></p> <p><i>Replace or repair A/V source (DVD player, video game, etc.)</i></p>
<p>No picture.</p>	<p>A/V signal not present.</p> <p>Contrast and/or brightness is set improperly.</p> <p>TV reception is poor (applies to system with TV tuner only)</p>	<p><i>Check all cables. If necessary, repair or replace A/V source.</i></p> <p><i>Adjust contrast and brightness levels to see if picture appears.</i></p> <p><i>Check and adjust antenna system. Move to another area with better reception, if possible.</i></p>
<p>Remote control does not function properly.</p>	<p>Batteries are dead.</p> <p>Remote is not being used in direct line-of-sight with the player or remote IR sensor. Transmission is best within 6 feet/30° angle of IR sensor on monitor front panel, and within .</p>	<p><i>Replace batteries.</i></p> <p><i>Be sure when being used, the remote is being pointed directly toward the player or remote IR sensor (if installed).</i></p>

Specifications



MODEL

SSV7HRB

7" Headrest Widescreen
TFT Video Monitor

A/V SYSTEM

Screen size	7"
Screen format	16:9 (wide)
Video Compatability	NTSC
LCD panel type	Active Matrix TFT
Resolution, pixels	1440 x 234
Brightness	450 NITS

GENERAL

Power requirements	12-14V DC
Power consumption	6W
Dimensions (L x W x H)	7.8" x 5.5" x 1.0"

All specifications subject to change without notice.