

SHP22IR

TWO SETS OF WIRELESS HEADPHONES
WITH INFRARED TRANSMITTER



SOUNDSTORM[®]
LABORATORIES

3451 LUNAR COURT, OXNARD CA 93030

PHONE: 888.38.STORM

805.983.8008

FAX: 805.983.7068

TECHNICAL SUPPORT

www.soundstormlab.com



9.2013



User Manual

SHP22IR

TWO SETS OF WIRELESS HEADPHONES
WITH INFRARED TRANSMITTER



*Wireless Headphones with IR Transmitter
(For use with all SSL and most other
units, overhead monitors, and headrest
monitors with audio outputs.)*

**Congratulations on your purchase
on a Sound Storm Laboratories
Wireless Infrared Headphone
System.**

It has been designed, engineered and
manufactured to bring you the highest
level of performance and quality, and
will offer you years of listening
pleasure.

Thank you for making Sound Storm
Laboratories your choice in car audio
and video entertainment!

USER MANUAL

page CONTENTS

2	General precautions
2	Safety precautions
2	Installation precautions
2	What is included?
3	Headphone controls and features
4	Headphone battery replacement
5	Using SHP22 IR with a monitor
6	Troubleshooting
6	Specifications



General precautions

Please read this manual completely and carefully prior to attempting to install your new Sound Storm mobile audio/video equipment. Installed correctly, your Sound Storm equipment will provide you with years of enjoyable and safe usage.

Installation of this equipment in any portion of a vehicle which impairs or distracts the driver is improper and dangerous. Sound Storm assumes no liability whatsoever for failure to follow the proper installation of this product.

Please keep this manual in a safe place for future reference.

Safety precautions

- Do not operate this equipment while driving – safe driving should always be your highest priority.
- Do not open or attempt to repair this unit yourself. Dangerous high voltages may be present which may result in electric shock. Refer any repairs to a qualified service technician.
- Do not attempt to repair a damaged, broken or faulty power cord. Replace it with a new one immediately.
- If there is smoke or any peculiar odor present during use or if there is damage to any of the component enclosures, immediately unplug the power cord and send the product to your local dealer or service center as soon as possible.

Installation precautions

Do not install components in areas which are susceptible to rain, moisture, direct sunlight, extreme heat or cold, excessive dust, dirt or humidity.

Use only the installation parts and hardware provided with the unit to ensure proper installation. Using other parts can cause malfunction and possible damage to your Sound Storm headphone system.

Use only a power source with 12 Volts DC (negative ground).

Before final installation, temporarily connect the wiring according to the diagram near the end of this manual, check it to ensure that it has been connected properly, and test the unit to make sure it is working correctly.

What is included?

The **SHP22IR** Wireless Transmitter Audio System includes:

- Two sets of wireless headphones, one infrared audio transmitter.

The **SHP22IR** is an IR wireless transmitter audio system for use with all SSL and most other source units, overhead monitors, and headrest monitors with audio outputs.

Notes

Troubleshooting

If you experience operation or performance problems with this product, compare your installation with the electrical wiring diagram on the previous page. If problems persist, read the following troubleshooting tips which may help eliminate the problems.

SYMPTOM	CAUSE	REMEDY
No audio present in headphones.	Power cord is not properly connected.	<i>Check that power connections are properly made and all fuses are in functioning condition.</i>
	Audio input cables not properly connected.	<i>Check all cables.</i>
	Audio input source is not operating properly.	<i>Replace or repair A/V source (DVD player, video game, etc.)</i>
	Batteries are dead.	<i>Replace headphone batteries.</i>
Sound is of poor quality or has interruptions and dropouts.	Headphone is not being used in direct line-of-sight with the player or remote IR sensor. Transmission is best within 6 feet/35° angle of IR sensor on the monitor.	<i>Move to a better location. If this is not possible, consider a more suitable location for the transmitter.</i>



Specifications

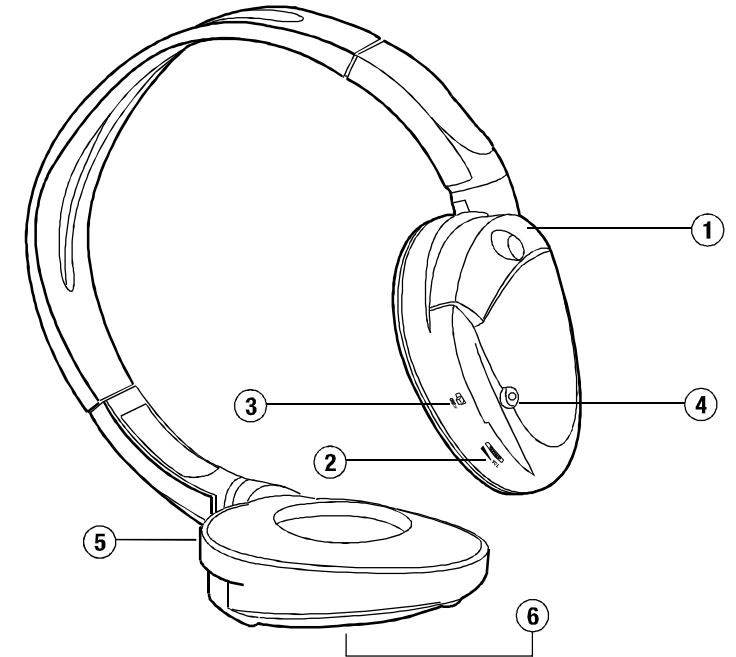
MODEL SHP22IR IR Wireless Transmitter Audio System

HEADPHONES

Transmission system	Infrared light
Carrier frequencies	2.3 MHz (left channel), 2.8MHz (right channel)
Distortion	greater than 60 dB
S/N ratio	greater than 40 dB
Channel separation	less than 1%
Frequency response	30Hz - 20kHz
Power source	(2) x AAA batteries headphones
Current consumption	25 mA max (during play) / 15mA (muted)

All specifications subject to change without notice.

SHP22 IR Headphone Controls and Features



① ⑤ **IR SENSORS**

② **VOLUME CONTROL KNOB**

③ **POWER ON/OFF SWITCH**
This button turns the headphone on and off.

In addition, if headphones do not receive any infrared audio signal after a short period of time, they will shut off automatically to conserve battery life.

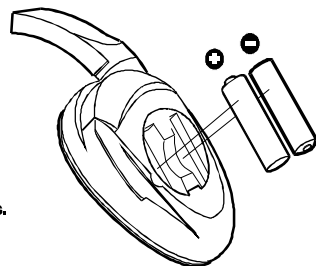
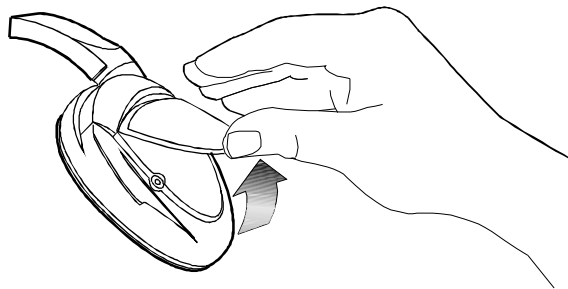
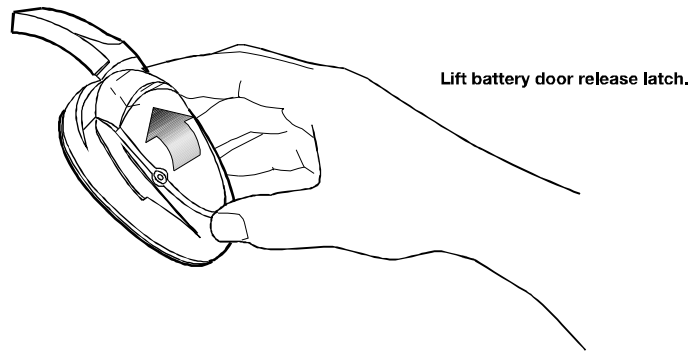
④ **POWER LED**

⑥ **BATTERY COVER**
See the section of this manual about battery replacement for more details.

Installing or replacing headphone batteries

The wireless headphones use (2) AAA batteries (not included), which are located in one of the earphone housings.

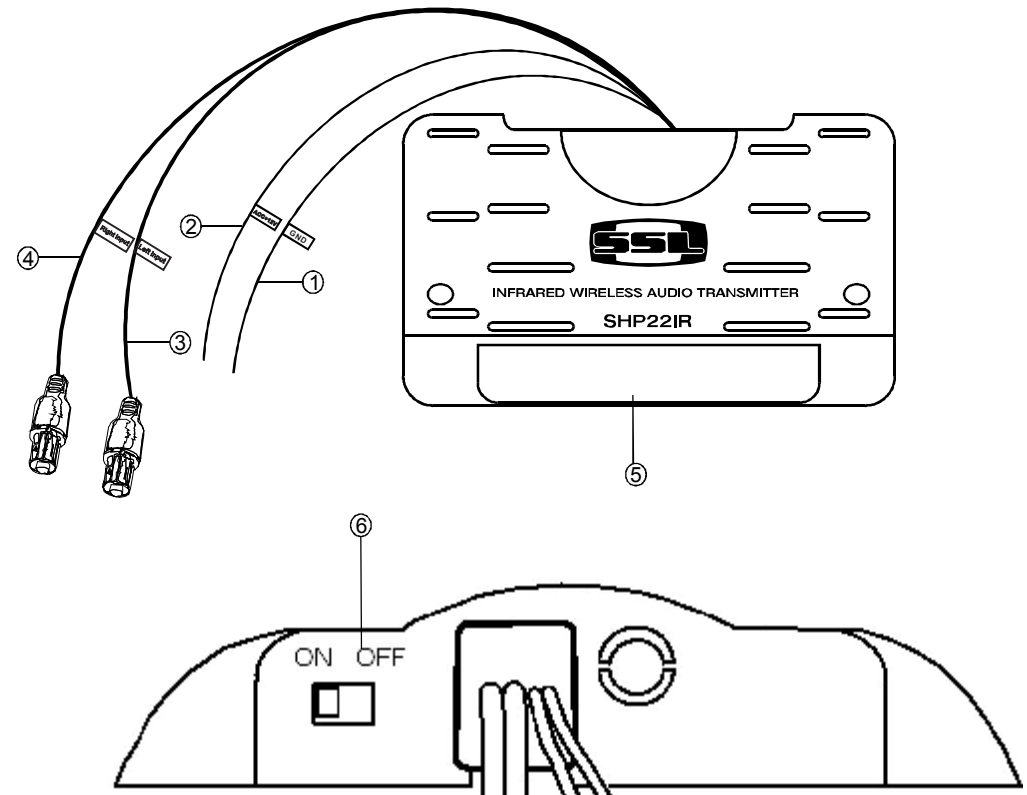
To replace the batteries, follow the diagrams below. To conserve battery life, please be sure to turn off the headphones whenever they are not in use, even though they will turn off after a short period of interrupted IR reception. If you expect the headphones to be unused for several days, remove and store the batteries.



Insert two AAA type batteries (not included). Be sure to note proper polarity when installing the batteries.

SHP22

Infrared audio transmitter



- ① GND
- ② ACC+12V
- ③ Left channel audio input
- ④ Right channel audio input
- ⑤ Infrared audio launch Window
- ⑥ SWITCH