

SSL®



USER'S MANUAL

SGR3

BLUETOOTH® (AUDIO STREAMING)
MARINE GAUGE DIGITAL MEDIA AM/FM RECEIVER
FEATURING BUILT-IN AMPLIFIER

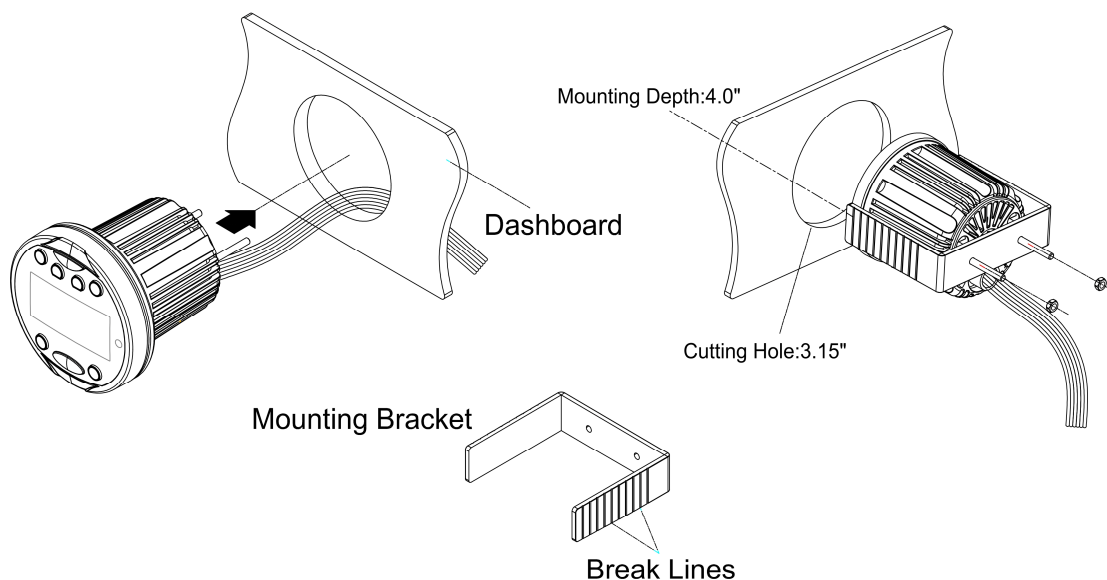


Installation

INSTALLATION INSTRUCTIONS

Mounting

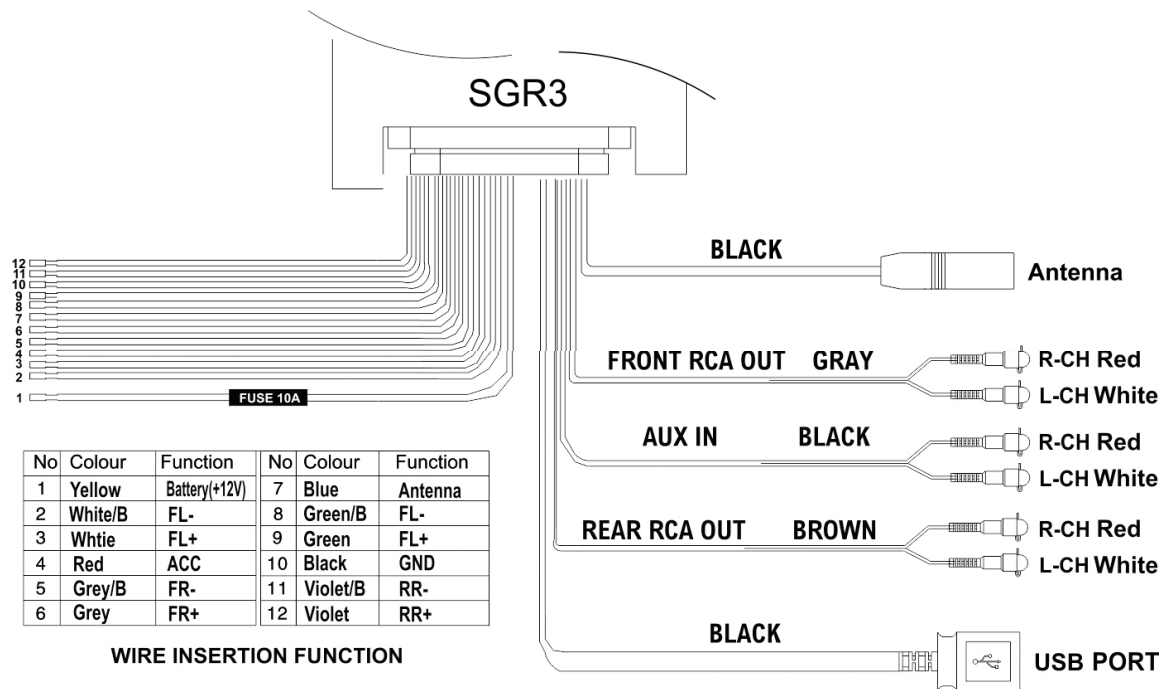
Once a suitable location has been determined, drill the hole and secure the stereo using the metal mounting bracket. If the bracket needs to be shortened, remove the appropriate number of breakaway segments using a pair of pliers.



1. This player should be installed by professional audio installer.
2. Please read the instruction and operation of equipment carefully before installing.
3. To avoid short circuit. Please make sure all the exposed wire is insulated.
4. To avoid potential shorts in the electrical system, be sure to disconnect the (-) battery cable before installation. Use this unit with a 12-Volt battery and negative grounding only. Failure to do so may result in a fire or malfunction.
5. This player is only fit for 12V DC applications.
6. Please make sure to connect the yellow constant power wire to the positive post of the battery (+).
7. When changing the fuse, please make sure the fuse ratings are the same.
8. Using good quality 4-8 Ohm speakers is recommended for best results.

Installation

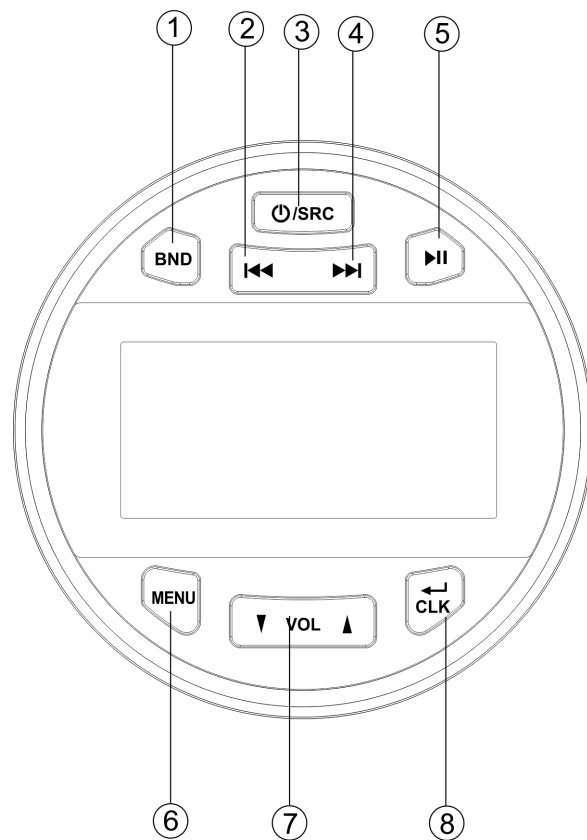
WIRING CONNECTION



1. This player is compatible with 12V DC application only.
2. Do not connect the battery terminals until the player is fully connected.
3. Please make sure a constant 12V source, like the positive post of the battery (+).
4. When changing the fuse. Please make sure use ratings are the same.
5. Using good quality speaker with 4-8 ohm can result in the best effect of the equipment.

KEY FUNCTION


LOCATION OF KEYS



- | | |
|------------------------|--------------------|
| 1. BAND button | 5. Pause button |
| 2. ◀◀ Seek down button | 6. MENU button |
| 3. POWER/SRC button | 7. VOL +/- button |
| 4. ▶▶ Seek up button | 8. CLK/BACK button |

OPERATION

Turning On/Off the unit

Press  button to turn ON the unit. When the unit is ON. Press and hold it for 2 seconds to turn Off the unit.

Sound and setting adjustment

Press and hold the **MENU** button to enter the Settings Menu:

BAL-FAD-EQ-LOUD-BEEP-CLOCK (12/24) - P_VOL- AREA-DX-STEREO

In each Setting, press the **VOL+/-** buttons to adjust settings. In the menu setting press the **CLK** button to exit the Settings Menu.

EQ: In the **EQ** Setting, press **VOL** button to select below preset mode: EQ1/EQ2/EQ3/EQ4/EQ OFF.

LOUD: In low volumes, set it on to reinforce the bass output. The sound will be enhanced

BEEP: Select ON/OFF to set the system tone.

CLOCK (24/12): In the **CLOCK** Setting, press the **VOL** button to set the time to 24H or 12H format.

P-VOL (Preset VOL): In **P-VOL** press the **VOL** button to set the default power on volume, If the volume at shutdown is less than the P-VOL value, next time the unit is turned On, the unit volume will be maintained as it was at shutdown. If the volume at shutdown is greater than the P-VOL value. The next time the unit is turned on, the unit volume will default to the P-VOL value.

AREA: In the **AREA** Setting, press **VOL** button to choose USA or EUROPE frequency.

DX/LOC: DX: In urban areas, most stations are strong enough and "LOCAL ON" mode should be selected. Switch to DX mode to search for stations with weaker signals."

STEREO/MONO: STEREO: Receives FM stereo signal. **MONO:** Change FM stereo to monochrome, it can reduce the noise when the signal is weak.

Display the clock or information

Shortly press **CLK** button to show the clock or source information.

Clock setting

Press and hold **CLK** button for 2 seconds. "HH" will flash. Press **VOL+/-** button to change the hour. After that press **CLK** button "MM" will flash. Press **VOL+/-** button to change the minute. Then press **CLK** button to confirm.

Reset the unit

In AUX IN mode press and hold  for 5 seconds to reset the unit. Reset the unit when:

- a) Unit malfunctions or freezes.
- b) Error symbol shows on the display.

Note: If the RESET function is activated, all the memory will be lost.

OPERATION

Radio Operation

Press the **SRC** button to select radio mode. Then press **BND** button to select desired band. Short press **▶▶/◀◀** to select the desired radio station. Press and hold **▶▶/◀◀** to manually tune the frequency.

Auto Store:

Press the **BND** button for 2 seconds to auto store stations to bands 1~3.

Manually store station

Select a desired station, Short press the **MENU** button 2 times. It will display "SAVE P1"., Press **VOL+/-** buttons to select P1~P6, then press **CLK** to save the station.

Listening to Preset Stations

In the RADIO band. Press the **MENU** button. It will show "PRE 87.5". Press **VOL+/-** buttons to select P1~P6.

USB Operation

When an USB flash drive is inserted to the unit, the unit will play the MP3/WMA file automatically. If a USB flash drive is already inserted in the unit, short press the **SRC** button until the USB source appears on the display.

Select a File

Press **▶▶/◀◀** to skip to next/previous files. Hold **▶▶/◀◀** to fast forward or fast reverse.

Play/Pause

Press **▶||** button to pause/play the file.

Repeat function

When playing MP3/WMA, Press the **MENU** button, it will show "RPT ALL", Then press **VOL+/-** button to select RPT ONE/RPT FOLD/ RPT ALL.

Random function

When playing MP3/WMA, Press the **MENU** button 2 times, it will show "RDM ON". Press **VOL+/-** button to select between RDM ON/OFF.

DIR+/- function

When playing MP3/WMA, Press the **BND** button, it will show "DIR SCH", press **VOL+/-** buttons to select 1'st song of the upward/downward folder.

Search song

When playing MP3/WMA, Press the **BND** button 2 times, it will show "NUM ****", press **VOL+/-** buttons to enter the numbers, then press the **CLK** button to play. (Note: after one number is entered, you will need to wait 3 seconds to enter the next number.)

AUX IN operation

Connect a male RCA to 3.5mm AUX in cable to the RCA AUX inputs on the rear of the unit. Then press SRC button to switch to AUX IN mode.

OPERATION

Bluetooth Operation **Pairing**

On your mobile device, go into the Bluetooth settings. Search and select Bluetooth name: "SSL MGR3". If prompted, enter "0000" for password. When successful connected, the Bluetooth logo will be displayed on the SGR3's display.

Bluetooth Audio

Press the **SRC** button to switch to Bluetooth mode. It will play a song of your mobile phone automatically. Press **▶||** key to pause/play the song. Press **▶▶/◀◀** button to select next/previous song.

Disconnecting Bluetooth

When your mobile device is paired with the unit, you can disconnect Bluetooth by pressing the MENU button and selecting "BT OFF" by pressing the CLK button. Note, you must be in the Bluetooth source to disconnect Bluetooth this way.

Reconnecting Bluetooth

In Bluetooth Mode, press the MENU button so it shows "BT RECON". Press the CLK button to reconnect to your previously paired device.

TROUBLESHOOTING

GENERAL

Power Supply Requirements	: DC 12 Volts, Negative Ground
Chassis Dimensions	: 3.9 (W) x 4.0 (D) x 2.75(H) Inches
Tone Controls	
- Bass (at 100 Hz)	: ± 10 dB
- Treble (at 10 kHz)	: ± 10 dB
Maximum Output Power	: 4 x 60 watts
Current Drain	: 10 Ampere (max.)

RADIO	FM	AM
Frequency Coverage	87.5 to 108 MHz	520 to 1710 kHz
IF	10.7 MHz	450 KHz
Sensitivity	4 μ V(S/N=30dB)	36dBuV(S/N=20dB)
Stereo Separation	>25dB	/

TROUBLESHOOTING

Before going through the checklist, check wiring connection. If any of the problems persist after checklist has been made, consult your nearest service dealer.

Symptom	Cause	Solution
No power.	The car ignition switch is not on.	If the power supply is connected to the car accessory circuits, but the engine is not moving, switch the ignition key to "ACC".
	The fuse is blown.	Replace the fuse.
No sound.	Volume is in minimum	Adjust volume to a desired level.
	Wiring is not properly connected.	Check wiring connection.
The operation keys do not work.	The built-in microcomputer is not operating properly due to noise.	Press the reset button.
The radio does not Work. The radio station automatic selection does not work.	The antenna cable is not connected.	Insert the antenna cable firmly.
	The signals are too weak.	Select a station manually.



SOUND STORM LABORATORIES

3451 Lunar Court, Oxnard CA 93030

TECHNICAL ASSISTANCE

www.soundstormlab.com/support

805-751-4855 Customer Service

SGR3

BLUETOOTH® (AUDIO STREAMING)

MARINE GAUGE DIGITAL MEDIA AM/FM RECEIVER



0520

iPod® and iPhone® are registered trademarks of Apple Inc. in the U.S. and other countries.

Sound Storm Laboratories is not affiliated with Apple Inc.

The Bluetooth® word mark and logos are registered trademarks owned by Bluetooth SIG, Inc. and any use of such marks by Sound Storm Laboratories is under license. Other trademarks and trade names are those of their respective owners.