

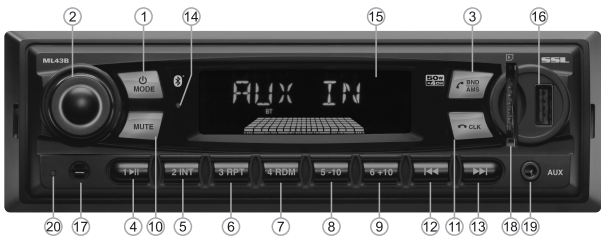
## USER'S MANUAL

### ML43B

**BLUETOOTH® • SINGLE-DIN MP3-COMPATIBLE DIGITAL MEDIA AM/FM RECEIVER**



### Overview of the Components



1. ⏻ (power) / MODE (source) button
2. SEL (select/menu) button and VOL (volume) knob
3. BND(BAND) / AMS(automatic store station, automatic music search) and 📞 (answer call) button
4. ⏸ (pause/play), Preset station 1 button
5. INT (intro), Preset station 2 button
6. RPT (repeat), Preset station 3 button
7. RDM (random), Preset station 4 button
8. -10(previous 10 tracks), previous folder, Preset station 5 button
9. +10(next 10 tracks), next folder, Preset station 6 button
10. MUTE button
11. CLK (clock setting), 🔄 (end call) button
12. ⏮ (tune/seek down, previous track, fast reverse) button
13. ⏭ (tune/ seek up, next track, fast forward) button
14. Hands-free Microphone
15. LCD Display
16. USB Port
17. IR remote sensor
18. SD Card Slot
19. AUX IN (auxiliary input) jack
20. Reset button

### General Operation

#### Turn Unit on/off, Change the Source

- Press the ⏻ /MODE button to turn on the unit. Press and hold the ⏻ /MODE button to turn off the unit.
- Press the ⏻ /MODE button to select the different modes: Radio, USB(with USB device inserted), SD(with SD card inserted), AUX-IN(auxiliary input) and BT(Bluetooth) modes.

#### Adjust the volume (VOL)

Rotate the VOL knob to increase or decrease the volume level.

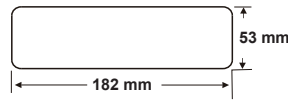
### Installation

#### Installation Procedures

First complete the electrical connections and then check for correctness.

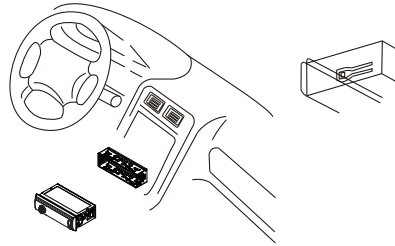
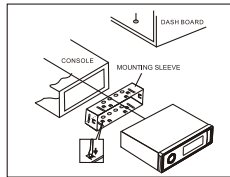
#### Installation Opening

This unit can be installed in any dashboard Having an opening as shown below.



Insert mounting collar into the dashboard and bend the mounting tabs out with a screwdriver.

Make sure that lock lever is flush with the mounting collar( not projecting outward).



### General Operation

#### Adjust Menu Options (SEL)

- Press SEL button repeatedly to cycle through the following adjustable audio functions:
  - ILL MID/HI/LOW: This receiver is equipped with 3 brightness settings.
  - BASS/TREBLE:-7, -6, ~, 1, 0, +1, ~, +6, +7
  - Note: BASS and TREBLE settings are only enabled when EQ setting is turned OFF.
  - BALANCE:L7, L6, ~, L1, 0, R1, ~, R6, R7
  - FADER:R7, R6, ~, R1, 0, F1, ~, F6, F7
  - EQ(Equalizer) Setting: OFF, CLASS, ROCK, POP, FLAT
  - Loudness: LOUD ON/OFF
  - DX/LOCAL: Enables or disables the local broadcast mode (LOCAL).
  - Stereo/Mono: Switches between MONO and STEREO reception mode for radio frequencies.
  - CLOCK 12/24: Select between 12 hours and 24 hours display.
  - Note: If 12 hour display is selected, AM= Morning; PM= Afternoon
  - AREA US/EU: This car radio is equipped the USA / Europe frequency. Rotate the volume knob to switch between USA and Europe frequency. The system will change the frequency setting in about 3 seconds.

- Rotate the VOL knob to adjust the selected item.

#### Setting the Clock

Press and hold the CLK button to display time. Press the CLK button, the hours digits start flashing on the display. Set hours by pressing the ⏭ and ⏮ button. Then briefly press the CLK button. The minute digits start flashing. Set minutes by pressing the ⏭ and ⏮ . Finally press the CLK button to confirm your settings.

#### LCD Display

#### Mute On/Off

In power on mode, briefly press the MUTE button to toggle mute on or off.

#### USB Port

#### Hands-free Microphone

#### Auxiliary Input Jack

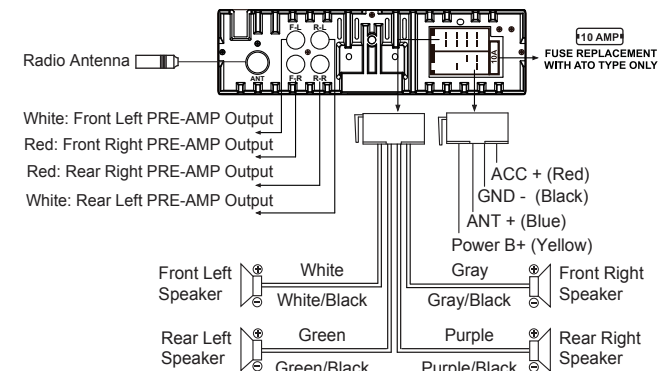
#### Reset

Push the RESET button with a thin object with a pointed end to reset all parameters to factory default settings.This function may be used when the LCD does not display normally or sound is distorted, or when any of controls are disabled.

### Installation

Connect all wiring harness and slide the head unit into the mounting collar until it clicks into place.

### Wiring Connections



- +12V DC Negative Ground.
- Only use speakers with 4 ohms impedance.
- The maximum current of the Amp remote trigger is 200mA.

### Radio Operation

#### Switch Between USA area and Europe area Frequency

In radio mode, press the SEL button to enter the switch state of the US (USA) and EU(europe)frequency, then rotate it to switch between US(USA) and EU(europe) frequency. The system will change the frequency setting in about 3 seconds.

#### Change Bands

In radio mode, shortly press the BND/AMS button to switch between the FM1(F1), FM2(F2), FM3(F3) and AM1(A1), AM2(A2) bands.

#### To Store / Recall Preset Stations

The radio can be stored 6 preset stations for each band (FM1, FM2, FM3, AM1 and AM2) for atotal of 30 preset stations.

#### - To memorize a station:

Press and hold the desired preset buttons (1-6) to save a radio station.

#### - To recall a preset station:

Briefly press the respective station button (1-6) to recall the corresponding preset station.

#### Manual Tuning

In the radio mode:

Press and hold the ⏭ or ⏮ button to enter the manual tuning mode.

In manual tuning mode, briefly press the ⏭ or ⏮ button to search the next or previous frequency step by step.

#### Seek Tuning

In radio mode, press the ⏭ or ⏮ button, the automatic search will start, it will search upward or downward for the strong signal radio station within the current band. The auto searching will stop until find a station.

#### Automatic Store Preset station (AMS)

Press and hold the BND/AMS button to store 18 FM stations and 12 AM stations automatically.

## USB/SD Card Operation

To play files on a USB device, insert a USB storage device into the USB port. The MP3/WMA files will be played automatically.  
Note: The USB port of this car radio is also designed for charging for iPhone / android mobile phone. The charging current consumption is 1 ampere.  
Insert a SD card into SD card slot, Playback will begin automatically.

### Select Next Track or Previous Track

In the USB mode, briefly press the ► or ◀ button to play the the next or previous track.

### Faste Forward/Reverse

Press and hold the ► or ◀ button to fast forward or reverse a track.

### Play / Pause

Press the ► button to interrupt the playback of a music (pause function). Press this button again to continue the playback.

### Introduction Scan

Press the INT button to play the first 10 seconds of all track.  
Press again to stop theintroduction scan, and play the current track.

### Repeating the track

Press the RPT button to toggle between RPT ALL (Play all track), RPT FLR (Continuously repeats all tracks in current folder) and RPT ONE (Continuously repeats current track).

### Playing all tracks in random

Press the RDM button. A random playback of all tracks will start.  
Press the button again to set the normal playback.

### Track/Folder Navigation

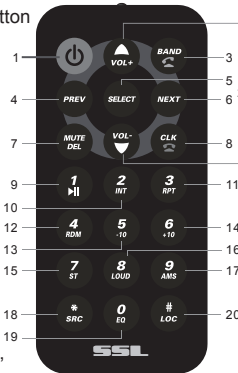
- Press the -10/+10 buttons to jump 10 tracks backward or forward.  
It is required that over 10 tracks be available on the storage medium.  
- Press and hold the -10/+10 button to select the previous or the next folder.  
(If there are folders on the storage medium.)

### Select the track or file for playback in MP3 format

a) Press and hold the BND/AMS button to enter track search mode.  
First "TRK0000" will appear on the display.  
b) Rotate the volume knob and select the "first number". Then press the ◀ button to move the "first number" to the left and enter the next number.  
c) When the desired track number appears, confirm your selection by pressing SEL button.  
If no any operation in 5 seconds,it will play the current track.

## Remote Control

1. (Power on/off) button
2. VOL+/VOL-(volume increase/decrease) button
3. Band button, (answer call) button
4. PREV: tune down, seek down;  
Track down, fast reverse
5. SEL(selection) button
6. NEXT: tune up, seek up;  
Track up, fast forward
7. Mute button, DEL(Delete) button
8. CLK(clock setting) button,  
(end call) button
9. ► button, preset station 1 button,  
keypad 1
10. INT(intro) button, preset station 2 button,  
keypad 2
11. RPT(repeat) button, preset station 3 button,  
keypad 3
12. RDM(random), preset station 4 button, keypad 4
13. -10(previous 10 tracks), preset station 5 button, keypad 5
14. +10(next 10 tracks), preset station 6 button, keypad 6
15. ST(stereo) button, keypad 7
16. LOUD(loudness) button, keypad 8
17. AMS(automatic music search) button, keypad 9
18. SRC(Source) button, keypad \*
19. EQ(Equalizer) button, keypad 0
20. LOC(local)/DX button, keypad #



Note: When using the remote control for the first time, you must pull out the protective plastic tab from the battery compartment found on the back of the remote control.

## Auxiliary Operation

Using this socket, it is possible to hear the sound of other playback devices such as MP3 players, CD players etc. through the car loudspeaker.  
1. Please connect the external device with a 3.5 mm stereo jack plug to the AUX socket.  
2. Press the SRC button repeatedly until "AUX IN" appears in the display.  
3. You hear the playback from the external device via the loudspeakers.  
You can adjust the volume of the external device to a comfortable level with the volume control of this device.

## Bluetooth Operation

### Pair and Connect

Prior to using the Bluetooth device as a handsfree system for a Bluetooth enabled mobile phone for the first time, you must pair and connect the two devices as follows:  
1. In any mode, prior to pairing and connecting, the BT logo in the LCD indicating that no device is connected. To begin pairing, enable BT mode on your mobile phone.  
2. When the phone finds the car audio system, the "SSL ML43B" name will be displayed.  
3. Choose the "SSL ML43B" from the device list to pair and connect with the car audio system. Upon confirming, the BT logo will stop flashing.  
4. When pairing is complete, the mobile phone audio will automatically transfer to the car audio system whenever a call is made or received, or when the mobile phone plays music.

### Make a Call

To make a call, dial the call directly from the paired mobile phone.

### Redial Last Dialed Number

Press and hold the (call) button on the control panel to redial the last dialed phone number.

### Answer a Call

• When the mobile phone is called, the incoming telephone number displays on the LCD.  
• To receive the call, press the (call) button on the front panel or remote control.

### Reject or End a Call

To reject or end the call, press the (call) button on the front panel or remote control.

## Specifications

### General

Power supply Requirement : DC 12V  
Maximum power output : 50W X 4CH  
Speaker impedance : 4 - 8 Ohm  
Unit Dimensions(WxHxD) : 178 X 50 X 70 mm  
Weight : 1.54 Lb (0.7 kg)  
Fuse : 10 A

### RADIO

#### FM

Frequency Range: 87.5 MHz - 107.9 MHz (USA)  
87.5 MHz - 108.0MHz (EUROPE)  
200 KHz(USA)  
50 KHz(EUROPE)

Channel step:

#### AM

Frequency Range: 530 KHz - 1710 KHz (USA)  
522-1620 KHz(EUROPE)  
Channel step: 10 KHz(USA)  
9 KHz(EUROPE)

### USB/SD

Usable Audio Formats: MP3/WMA  
USB Port Type: 2.0  
USB Charging: 5V/1A  
Card Type: SD Card  
Pre-amp Output: Front and Rear  
Frequency Response: 20 Hz - 20KHz  
S/N Ratio: 60dB

### BT

BT Profile supports: Headset, Handsfree and A2DP & AVRCP  
Range of frequency: 2.4GHz

## Bluetooth Operation

### Switch Audio Between Car Audio and mobile Phone

During a call, press the VOL knob/button to switch the audio source from the car audio system back to your mobile phone.

### Adjust Call Volume

• During a call, use VOL knob to adjust the call volume level.  
• Use the MUTE button to mute sound.

### Audio Streaming (A2DP)

The unit supports A2DP (advanced audio distribution profile) wireless streaming audio from your Bluetooth mobile device directly to your head unit. You can also control your music from the front panel of the head unit using AVRCP (audio video remote control profile).

1. After pairing, connecting and enabling streaming audio from a compatible mobile device, press the SRC button to enter BT mode and the "BT AUDIO" will be shown on the LCD display.
2. When a mobile device is paired, music played through that device will automatically be heard through the car audio system and display A2DP in the LCD display.
3. Press the ► or ◀ button to play the next or previous on the mobile phone.
4. Press the ► button to pause or resume music playback.



## SOUND STORM LABORATORIES

3451 Lunar Court, Oxnard CA 93030

### TECHNICAL ASSISTANCE

www.soundstormlab.com/support  
805-751-4855 Customer Service

## ML43B

BLUETOOTH® • SINGLE-DIN MP3-COMPATIBLE  
DIGITAL MEDIA AM/FM RECEIVER



0120

iPod® and iPhone® are registered trademarks of Apple Inc. in the U.S. and other countries.  
Sound Storm Laboratories is not affiliated with Apple Inc.  
The Bluetooth® word mark and logos are registered trademarks owned by Bluetooth SIG, Inc. and any use of such marks by Sound Storm Laboratories is under license. Other trademarks and trade names are those of their respective owners.